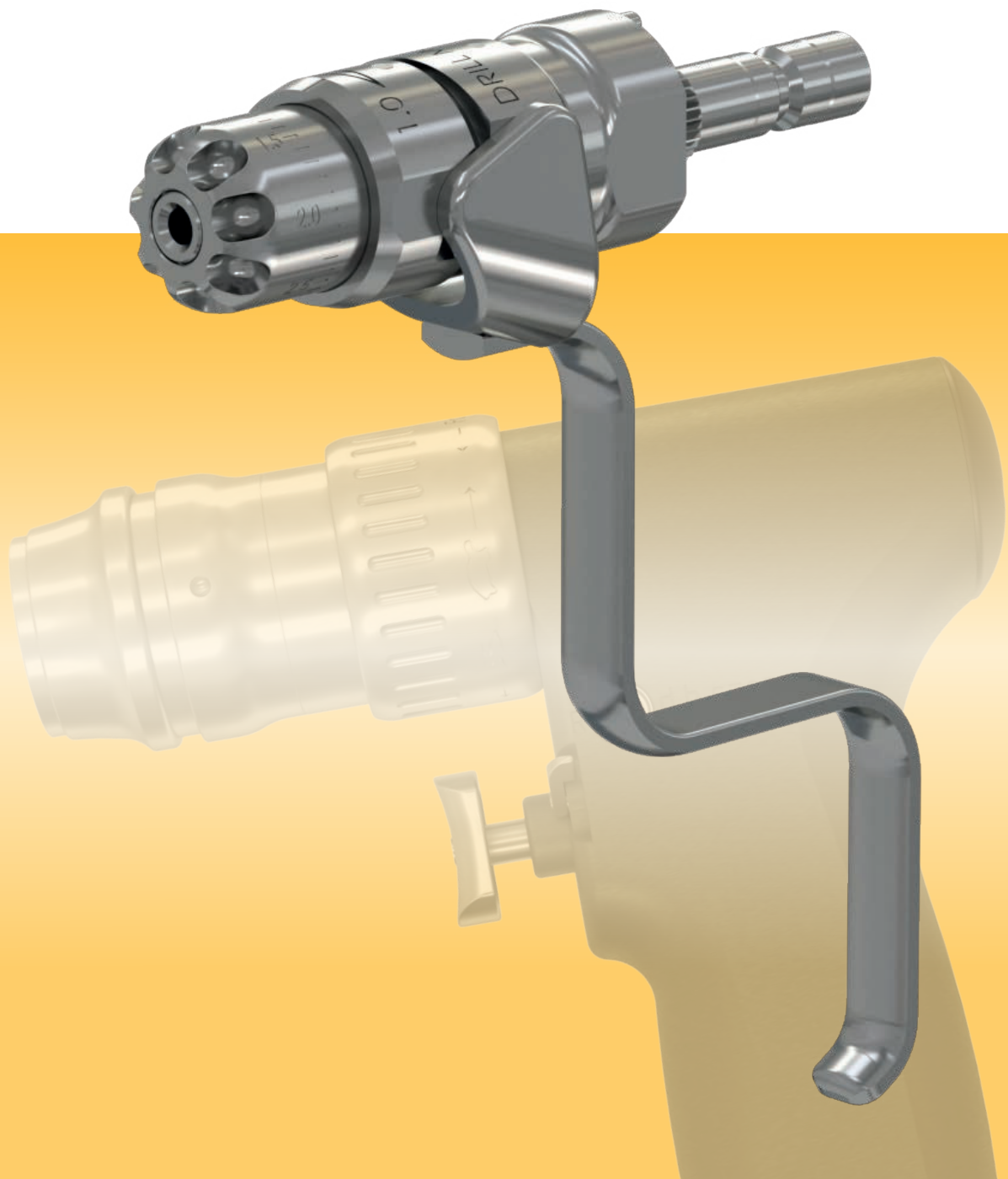




medical**bees**
System-driven Surgery

Powertools
Accessories

bee-systemII
Li-Ion - Technology





medicalbees[®]

System-driven Surgery



Your address for surgical quality instruments „Made in Germany“, manufactured at our site in Emmingen near Tuttlingen. medicalbees stands for highest quality, speed and efficiency. We will find the technically and economically optimal solution for you. Highest quality at fair prices. Contact us to get to know the complete medicalbees product range! For further information please visit: medical-bees.de or by email at sales@medical-bees.de



bee-systemII

Li-Ion - Technology

The idea:

Unique durability - all integrated components: motor, battery and electronics in removable unit.

No need to sterilize delicate components. Only outer housing goes into the autoclave.

Innovative design with intuitive and easy-to-use symbols.

Design:

The innovative battery-driven Power System concept with newest Li-Ion battery technology and longer lifetime.

bee-systemII

The new beesystemII with a more ergonomic handpiece with slimmer handle and easier closing mechanism.

Table of contents: bee-systemII

Page 2-3:	General Information Overview POWERTOOLS
Page 3-5:	Drill&Ream Accessories/adapters
Page 6:	Accessories Saws
Page 7-9:	Trays and cleaning & maintenance
Page 10-11:	General information
Page 12:	Additional information





Powertools: Pin drivers



F-30-100-10

Wire/Pin Driver for Drill&Ream Machine (F-30-100-00 and F-31-100-00) for use with K-wires with diam: 1.0mm (Drill mode) to 4.0mm (Ream mode)



F-30-100-15

Wire/Pin Driver for Standard Drill Machine (F-30-150-00 and F-31-150-00) for use with K-wires with diam: 1.0mm to 4.0mm



F-30-100-19

Extension guide for wire/pin driver



F-30-100-25

Adapter for radiolucent drill guide



F-31-100-00



F-31-150-00

Accessories

F-30-100-10



F-30-100-15



F-30-100-19



F-30-100-25



All adapters and accessories are compatible with the **beesystemI** and the **beesystemII** Powertools unless mentioned differently.



Adapters for Standard Drill and Drill&Ream handpieces/machines

- ✓ A variety of adapters are available to accommodate different standards of tools
- ✓ To choose the right adapter please see the picture „instrument distal end fitting“
- ✓ All adapters can be adapted via Quick connect (pull-release) to the machines

**F-30-100-50**

AO-adapter, small (Ø 2.5mm)

**F-30-100-51**

AO-adapter, large (Ø 4.3mm)

**F-30-100-52**

1/4"-adapter (Ø 4.3mm)

**F-30-100-53**

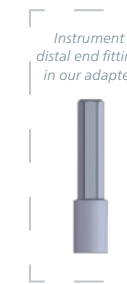
Hudson-adapter (Ø 4.3mm)

**F-30-100-54**

Harris-adapter (Ø 4,3mm)

**F-30-100-55**

Hexagonal-adapter, SW6 (Ø 4.3mm)

**F-30-100-56**

DIN-adapter (Ø 2.8mm)

**F-30-100-57**

Zimmer-Hall-adapter (Ø 4.3mm)

**F-30-100-59**

ACL adapter (Ø 4.3mm)





Chucks for Standard Drill and Drill&Ream handpieces

- ✓ A variety of chucks and adapters are available from 0-10 mm diameter
- ✓ From the traditional Jacobs chucks to the quick action chucks with and without ratchet
- ✓ All adapter can be adapted via Quick connect (pull-release)



F-30-100-60

Drill attachment Jacobs chuck small (Ø 0-4mm) with key (F-30-100-70)



F-30-100-61

Drill attachment Jacobs chuck large (Ø 0-6mm) with key (F-30-100-71)



F-30-100-66

Drill attachment large (Ø 0.6 -10mm) with key (F-30-100-73)



F-30-100-62

Röhm-three jaw chuck (Ø: 0.5-7.0mm) with key (MB1-20-310-25)



F-30-100-63

Quick action chuck with ratchet (Ø: 0.8-6.35mm)



F-30-100-64

Quick action chuck without ratchet (Ø: 0.8-6.35mm)



F-30-100-65

Albrecht quick action chuck without ratchet small (Ø: 0.3-3mm)



Accessories Saws

The medical bees oscillating saws can accommodate Synthes/AO and Stryker6 sawblade designs. The medical bees sternum saw accommodates Stryker sawblades.

The oscillating saws are available in 2° and 4° version. The lateral movement of the sawblade is set from the center line to 2° respectively 4°.



Synthes/AO connection

Handpieces/Machines	Synthes/AO standard
F-31-300-00	Oscillating saw, 4°
F-31-301-00	Oscillating saw, 2°
F-40-110-00	Straight saw, 4°
F-40-111-00	Straight saw, 2°



Stryker connection

Handpieces/Machines	Stryker standard
F-31-310-00	Oscillating saw, 4°
F-31-311-00	Oscillating saw, 2°
F-40-100-00	Straight saw, 4°
F-40-101-00	Straight saw, 2°



Stryker connection for sternum blades

Handpieces/Machines
F-31-601-00



F-30-300-10

Support key for oscillating saw to open saw blade clamping (for Synthes saws)



F-31-601-00



F-30-400-00

F-30-600-00

Accessories

F-30-400-01 Top for Sternum saw, 70mm



F-30-400-05 Keyless top for Sternum saw, 70mm



F-30-400-10 XL Keyless top for Sternum saw, 80mm



The sternum saw F-31-601-00 is available with protection sleeve and keyless chuck.

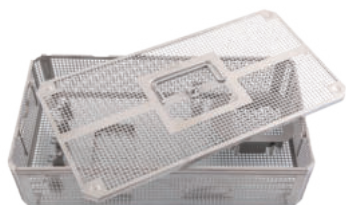
The F-31-601-00 can be used without the top as reciprocating saw.

2 different lengths of the sternum saw top exist: standard length 70mm or to be ordered separately 80mm length



Cleaning accessories and trays

Trays (Cleaning & Sterilization)



F-31-910-18

Tray with lid, without rinsing set, for 2 machines (beesystemI and beesystemII), 477x250x120mm



F-30-910-40

Rinsing Set

F-31-910-13

Tray with lid, without rinsing set, for 1 machine (beesystemI and beesystemII), 477x250x120mm

F-30-910-05

Lid for trays



F-30-910-42

Washing machine adapter for Miele/Stielco/Webeco



F-30-910-43

Washing machine adapter for Belimed



F-30-910-44

Washing machine adapter for Maquet/MediKomp/Getinger



F-30-900-10

Lubrication service frame for beesystemI



F-30-900-20

Sterile funnel for both beesystemI and beesystemII



F-30-900-61

Oil Pen Hi-Tech Oil (sterilizable), with 40mm tip, 12ml, 0.4 fl.oz.



Accessories



F-30-910-50

Cleaning brushes set including the following brushes

- Cleaning brush 13mmØ
- Cleaning brush 9mmØ
- Cleaning brush 5mmØ
- Cleaning brush 5mmØ
- Cleaning brush 4,8mmØ



F-30-910-30

Universal rinse adapter (beesystemI and beesystemII)



F-30-910-31

Rinse adapter for Drill and Drill&Ream machine (beesystemI and beesystemII)



F-30-910-33

BeesystemI Rinse adapter for Reciprocating and Sternum saw (F-30-400-00, F-30-600-00 and F-30-601-00)



F-30-900-70

BeesystemI universal spray adapter



F-30-900-72

beesystemI spray adapter for Drill and Drill&Ream Machine (F-30-150-00 and F-30-100-00)



F-30-900-74

beesystemI spray adapter for saws (F-30-3xxx-xx and F-30-60x-xx)



F-30-900-78

beesystemI Spray adapter for Drill and Drill&Ream machines (F-30-150-00 and F-30-100-00)



Cleaning & maintenance accessories

Accessories								
	F-31-100-00	F-31-150-00	F-31-300-00	F-31-301-00	F-31-310-00	F-31-311-00	F-31-601-00	F-31-700-00
F-30-910-05 <i>Lid for cleaning and sterilisation tray with a lock</i>								
F-31-910-13 <i>Cleaning and sterilisation tray (1 machine) with lid, for beesystemI and beesystemII</i>								
F-31-910-18 <i>Cleaning and sterilisation tray (2 machines) with lid, for beesystemI and beesystemII</i>								
F-30-910-30 <i>Universal rinse adapter</i>								
F-30-910-31 <i>Rinse adapter for Drill and Drill&Ream machine</i>								
F-30-910-40 <i>Rinsing Set</i>								
F-30-910-42 <i>beesystem chuck: Miele/Stielco/ Webeco</i>								
F-30-910-43 <i>beesystem adapter Belomed</i>								
F-30-910-44 <i>beesystem adapter Maquet/MediKomp/Getinger</i>								
F-30-910-50 <i>Cleaning brushes set</i>								



Presentation suitcase

For presentation of the medical bees Powertools the following presentation suitcase is available:

F-30-000-11: Presentation case for 2 handpieces and accessories (without instruments)



- ✓ A basic set of medical bees Powertools available in one suitcase for customer presentation. All in one set.
- ✓ A customised foam insert guarantees secure protection for the valuable contents.
- ✓ Sturdy design for repeated use and transport.
- ✓ High-quality lock and hinge systems as well as ergonomically shaped carrying handle.

A possible set-up of your demo set or initial operation set could include the following numbers

Article Number	Description
F-31-100-00	Drill&Ream machine
F-31-310-00	Oscillating Saw Stryker
F-30-900-00	Powerpack
F-30-900-50	Charger with powercables
F-30-100-10	Pin driver
F-30-900-20	Sterile funnel
F-30-100-51	AO connector large
F-30-100-60	Jacobs chuck with key, small
F-30-000-11	Powertools- presentation suitcase



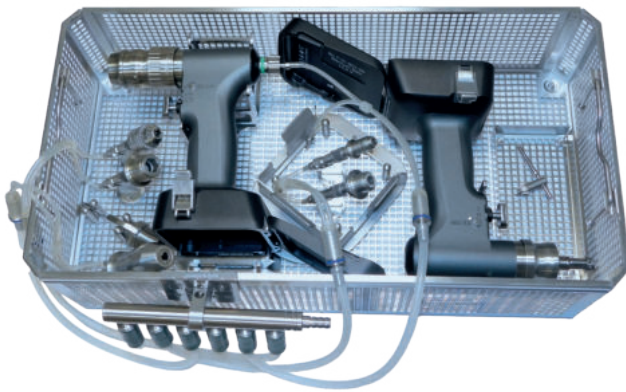
Specifically designed tray

We recommend to store our beesystemII-components in a specifically designed tray/basket.

F-31-910-13: Tray for one machine with accessories

F-31-910-18: Tray for two machines with accessories

The complete set of Powertools fits into one tray for ease of use during processing and transportation.



- ✓ Secure instrument storage thus guaranteeing extended instrument life as they are less likely to be damaged during processing and transportation.
- ✓ All instruments available in one set for better organization and availability when needed.
- ✓ Cleaning & sterilization of the Powertools was validated in the tray with the special rinsing set. This set allows internal flushing of cavities for up to 12 instruments.

Please note:





Das könnte Sie auch interessieren | *This could also be of interest to you* **medicalbees**



Hämmer
Prime Mallets



Scan or click



BeesystemII
BeesystemII



Scan or click

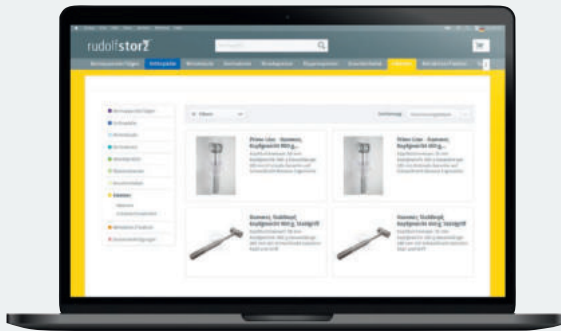


Stabsäge
Straight saw



Scan or click

Scan or click



Produkt-Welt!
product world!

Lernen Sie unsere Produkte mit Hilfe unserer Produkt-Welt kennen.

Get to know our products with our product world.

Änderungen der technischen Angaben und Maße liegen in unserem Ermessen. Modelländerungen vorbehalten. Ohne unsere ausdrückliche schriftliche Genehmigung darf dieses Printmedium weder im Gesamten noch auszugsweise kopiert oder nachgedruckt werden.
Changes in technical specifications and dimensions are at our discretion. Subject to modification. Without our explicit written approval this print media may not be copied or reprinted as a whole or in extracts.

